




SAS **600** 

**SAS**  
International



# Overview

SYSTEM GROUP	SUSPENSION METHOD
	Threaded rod with suspension channel
Ceiling Rafts	

PANEL	
	
Hook-on	Square or Rectangle

ACOUSTICS	
Design dependent	Design dependent
Absorption class	Insulation

ACCESS	SYSTEM WEIGHT	LIFE EXPECTANCY
Rafts are open systems. When grouped as islands, full access is available	<b>14 Kg/m<sup>2</sup> Linear</b>	<b>25yr</b>
	Based on 1200x600mm tiles	In excess of



SAS600 offers a variety of applications from the purely aesthetic to high performance acoustics with service integration. The rafts and modules are available in a range of curved, flat or angled profiles as standard. Bespoke designs can be achieved to realise highly aspirational interiors.

The flexibility of SAS600 rafts and modules makes them ideal for both new build and retrofit acoustic solutions.

---

#### Module Sizes

Length: 300mm-3000mm  
Width: 300mm-1200mm

---

#### Module Shapes

Rafts and modules can be manufactured either flat or curved. Curved designs allow a larger acoustic area to be incorporated into the design.

Bespoke module sizes and shapes are available on request.

---

#### Finishes

SAS600 is available in all standard SAS finishes, please refer to page 105. Bespoke finishes are available on request.

---

#### Perforations

SAS600 can be manufactured with any standard SAS perforation pattern. For our full range of perforations, please refer to page 83. Bespoke perforations are also an option.

---

#### Acoustic Materials

16mm deep, 80Kg density, tissue wrapped mineral wool pad. Other acoustic materials are available, please refer to page 20.

---

#### Service Integration

Rafts and modules can be manufactured with integrated LED lighting and other M&E services.

---

#### Cross Ventilation

Ceiling mounted acoustic rafts provide acoustic absorption whilst allowing the concrete soffit to be fully exposed for energy-efficient natural cross ventilation cooling.

---

#### Combination Ceilings

Rafts and modules provide high levels of acoustic absorption. For demanding environments they can be installed in conjunction with a suspended metal ceiling.

---

#### School Specifications

SAS600 provides acoustic absorption compliant with BB93<sup>1</sup> and meets ventilation requirements detailed in BB101<sup>2</sup>.

**1** BB93: Acoustic Design of Schools

**2** BB101: Ventilation of School Buildings

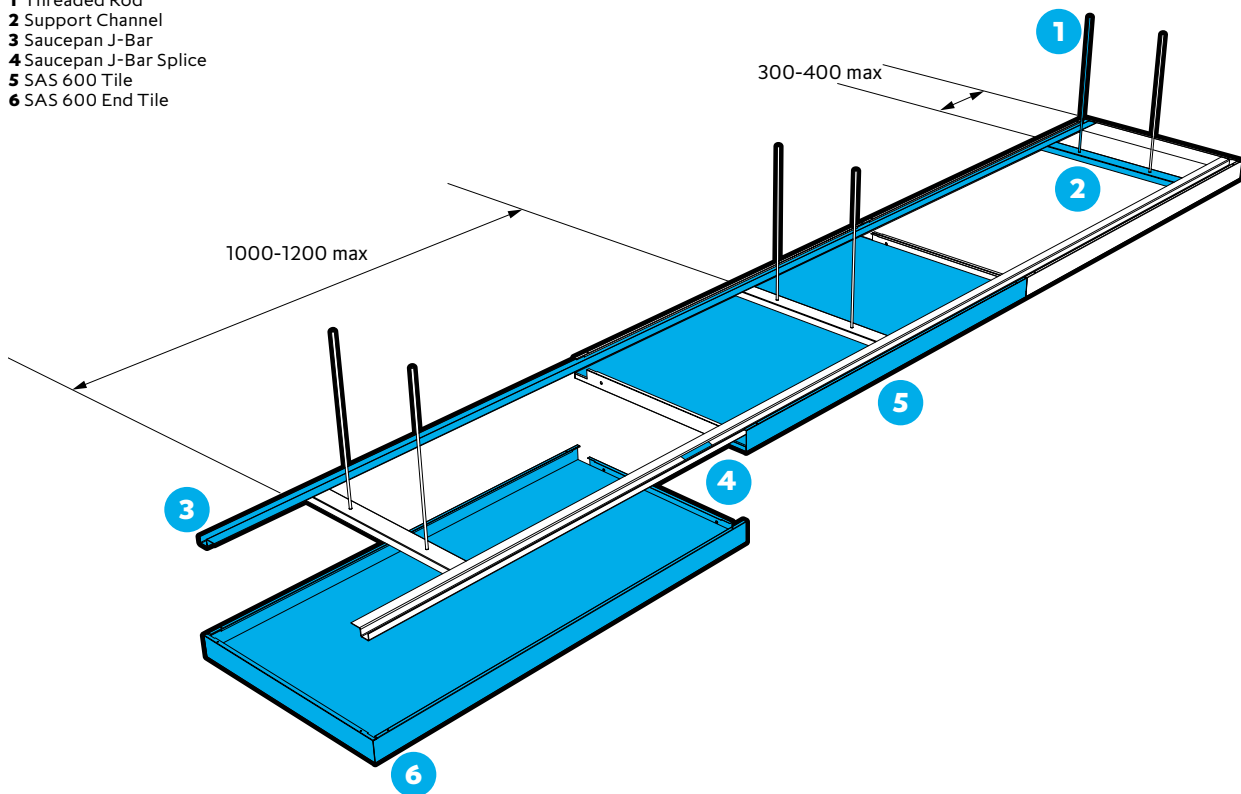
---

#### Technical Support

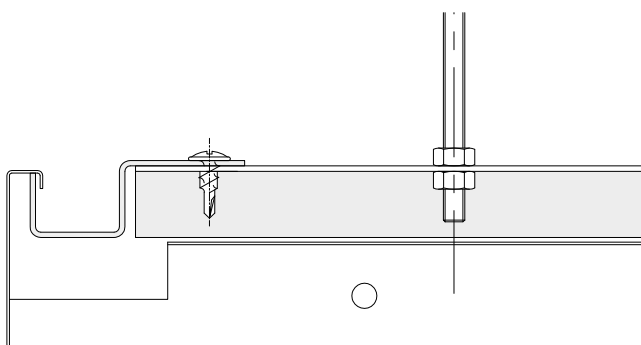
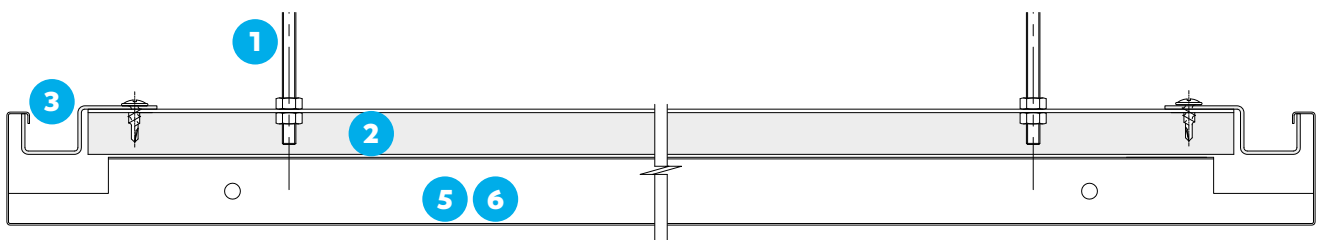
Please contact our technical team for all questions relating to access, security, bespoke features, service integration or load support.

## Perspective Drawing

- 1 Threaded Rod
- 2 Support Channel
- 3 Saucepan J-Bar
- 4 Saucepan J-Bar Splice
- 5 SAS 600 Tile
- 6 SAS 600 End Tile



## Section and detail drawings



All dimensions are in mm.



SAS**600**

Heathrow Airport T2

Location  
**London, UK**  
Architect  
**Nicholas Grimshaw  
& Partners Ltd**

Contractor  
**Balfour Beatty**  
Purpose  
**Transport**



SAS**600**

## Barnes Library & Medical School

University of Birmingham

Location  
**Birmingham, UK**  
Architect  
**Glancy Nicholls**  
Architect

Contractor  
**Overbury**  
**Midlands plc**  
Purpose  
**Education**

# SAS PLUS

SAS Plus offers the system designer access to SAS' in-house design team to collaborate on bespoke ceiling specification. Systems can be variants of standard SAS offerings, or completely bespoke designs.

**Call us for more details.**

**UK** +44 (0) 1189 290 900

**UK** [sasint.co.uk](http://sasint.co.uk)

[enquiries@sasint.co.uk](mailto:enquiries@sasint.co.uk)